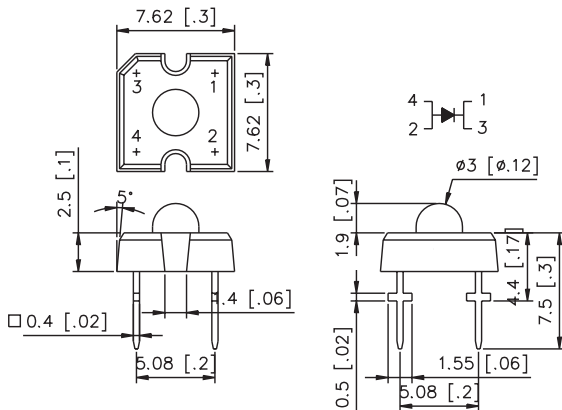


7676UCH-30



Absolute Maximum Ranges (Ta=25±3°C)

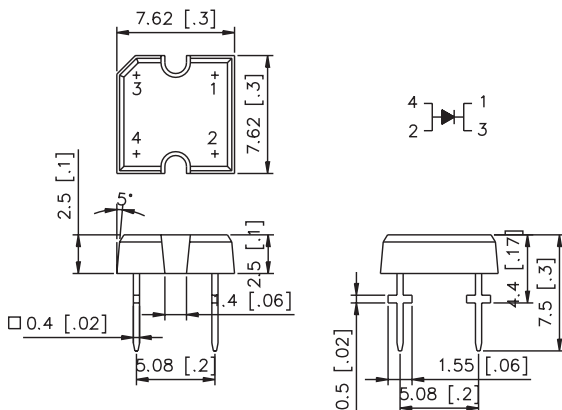
Power Dissipation	P _D	120mW
DC Forward Current	I _F	70mA
Pulsed Forward Current	I _{FP}	200mA
Reverse Voltage	V _R	5V
Operating Temperature	T _{opr}	-25~+80°C
Storage Temperature	T _{stg}	-30~+100°C
Lead Soldering Temperature	T _{sol}	260°C for 5 Sec.

Electrical and Optical Characteristics

(Ta=25±3°C)

Type No.	Chip		Lens Color	V _f (V)		Luminous Intensity I _v				Viewing A 2θ1/2 (Deg.)	Total A. θ (Deg.)
	Emitting Color	Wavelength λ _p (nm)		Typ.	Max.	at I _f =mA	Min. (mcd)	Typ. (mcd)	Max. (mcd)		
7676UCH-30-A	Red	625	Water Clear	2.2	2.4	20	1000	1500	1800	30	70
7676UCH-30-B	Red	625	Water Clear	2.2	2.4	20	1500	2000	3000	30	70
7676YCH-30-A	Yellow	590	Water Clear	2.2	2.4	20	1000	1500	1800	30	70
7676YCH-30-B	Yellow	590	Water Clear	2.2	2.4	20	1500	2000	3000	30	70
7676BGCH-30	Bluish green	505	Water Clear	2.8	3.4	20	3000	4000	5000	30	70
7676PGCH-30	Pure green	525	Water Clear	2.8	3.4	20	3000	4000	5000	30	70
7676BCH-30	Blue	465	Water Clear	3.1	3.4	20	1000	1500	2000	30	70
7676WCH-30	White	X:028 Y:0.30	Water Clear	3.1	3.4	20	300	400	600	30	70

7676UCH-50



Absolute Maximum Ranges (Ta=25±3°C)

Power Dissipation	P _D	120mW
DC Forward Current	I _F	70mA
Pulsed Forward Current	I _{FP}	200mA
Reverse Voltage	V _R	5V
Operating Temperature	T _{opr}	-25~+80°C
Storage Temperature	T _{stg}	-30~+100°C
Lead Soldering Temperature	T _{sol}	260°C for 5 Sec.

Electrical and Optical Characteristics

(Ta=25±3°C)

Type No.	Chip		Lens Color	V _f (V)		Luminous Intensity I _v				Viewing A 2θ1/2 (Deg.)	Total A. θ (Deg.)
	Emitting Color	Wavelength λ _p (nm)		Typ.	Max.	at I _f =mA	Min. (mcd)	Typ. (mcd)	Max. (mcd)		
7676UCH-50-A	Red	625	Water Clear	2.2	2.4	20	500	700	900	50	100
7676YCH-50-A	Yellow	590	Water Clear	2.2	2.4	20	500	700	900	50	100
7676BGCH-50	Bluish green	505	Water Clear	2.8	3.4	20	1000	2000	3000	50	100
7676PGCH-50	Pure green	525	Water Clear	2.8	3.4	20	1000	2000	3000	50	100
7676BCH-50	Blue	465	Water Clear	3.1	3.4	20	500	700	900	50	100
7676WCH-50	White	X:028 Y:0.30	Water Clear	3.1	3.4	20	150	250	400	50	100