

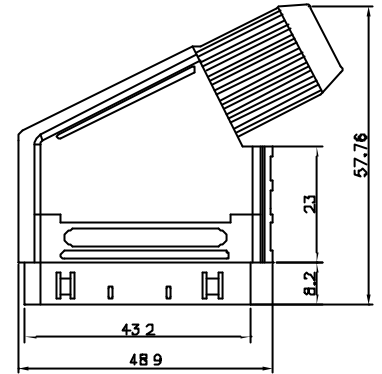


C201 Series

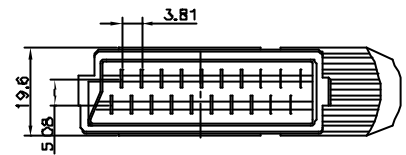
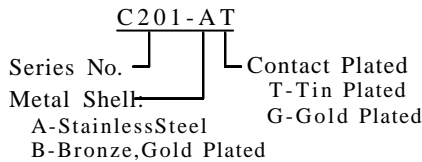
**Scart Plug, Plastic Type,
For Cable Assembly**

Specifications:

Contact Resistance:100mΩ @100mADC
 Insulator Resistance:1000MΩmin. @500VDC
 Current Rating:3AMP
 Voltage:1000VAC For 1 minute
 Operating Temperature:-55°C~+105°C
 Contact:Brass,Tin Plated or Gold Plated
 Housing:PC or ABS,UL94V-0
 MetalShell:StainlessSteel,or Gold Plated Bronze



Ordering Information



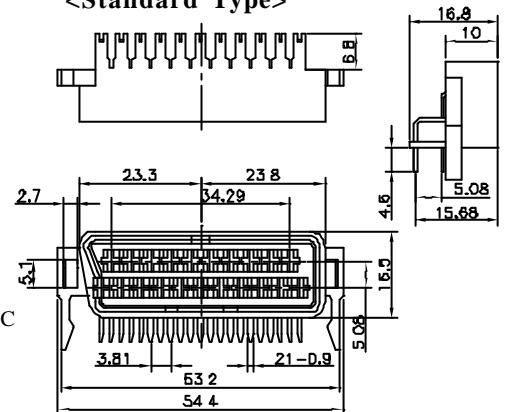
C211 Series

**Scart Socket,Right Angle,
Boardlock**

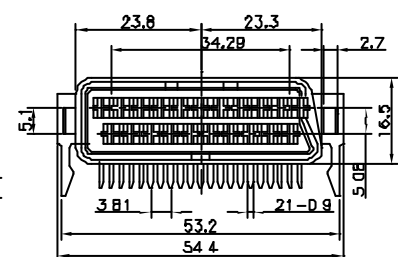
Specifications:

Contact Resistance:100mΩ @100mADC
 Insulator Resistance:1000MΩmin. @500VDC
 Current Rating:3AMP
 Voltage:1000VAC For 1 minute
 Operating Temperature:-55°C~+105°C
 Contact:Brass or Phosphor Bronze,Tin Plated
 Housing:PC or ABS,UL94V-0

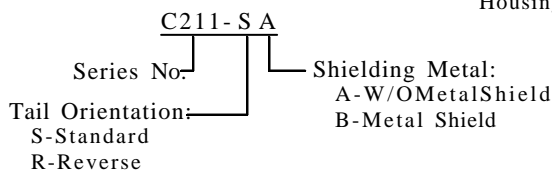
<Standard Type>



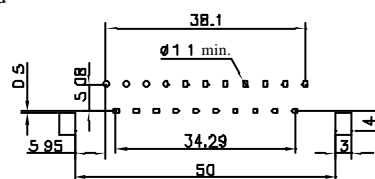
<Reverse Type>



Ordering Information



PCBLayout





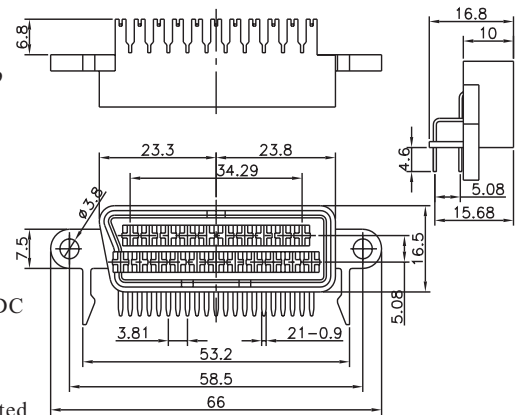
C212 Series

**Scart Socket, Right Angle,
Boardlock, Side Holes**

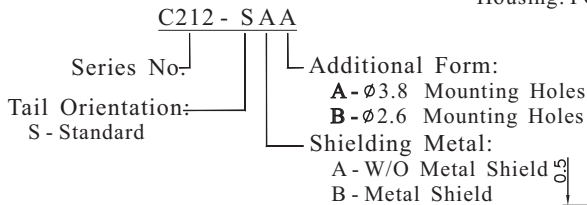
Specifications:

Contact Resistance: 100mΩ @ 100mA DC
 Insulator Resistance: 1000MΩmin. @ 500V DC
 Current Rating: 3AMP
 Voltage: 1000V AC For 1 minute
 Operating Temperature: -55°C~+105°C
 Contact: Brass or Phosphor Bronze, Tin Plated
 Housing: PC or ABS, UL94V-0

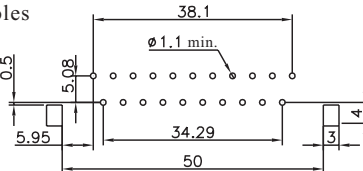
<Ø3.8mm Mounting Holes>



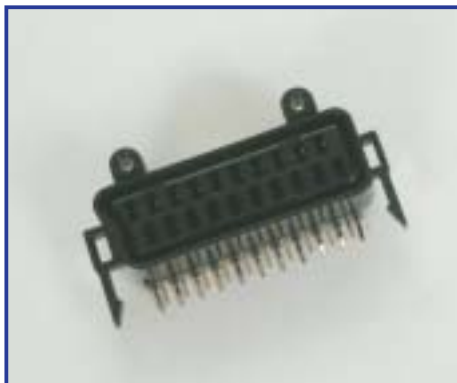
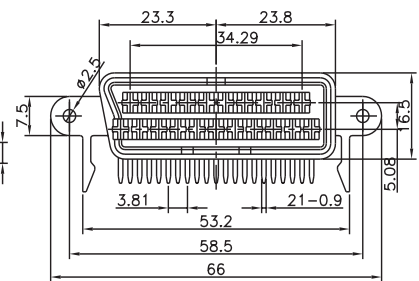
Ordering Information



PCB Layout



<Ø2.6mm Mounting Holes>



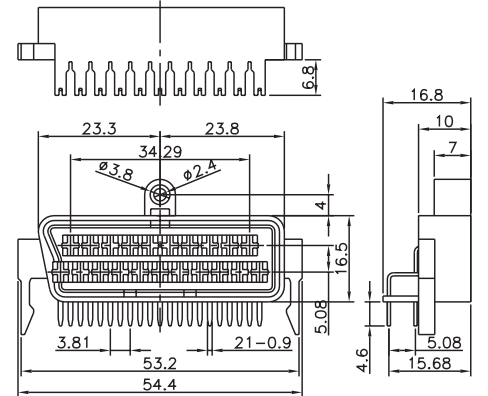
C213 Series

**Scart Socket, Right Angle,
Boardlock, Top Holes**

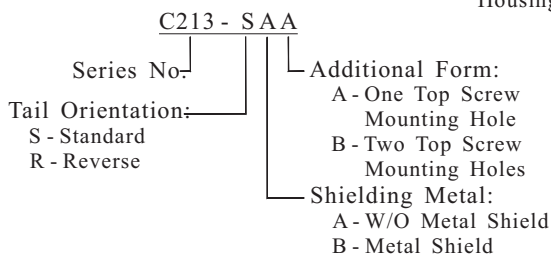
Specifications:

Contact Resistance: 100mΩ @ 100mA DC
 Insulator Resistance: 1000MΩmin. @ 500V DC
 Current Rating: 3AMP
 Voltage: 1000V AC For 1 minute
 Operating Temperature: -55°C~+105°C
 Contact: Brass or Phosphor Bronze, Tin Plated
 Housing: PC or ABS, UL94V-0

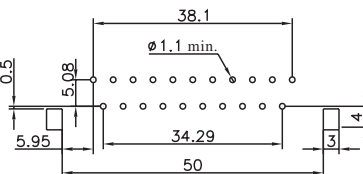
<One Top Screw Mounting Hole>



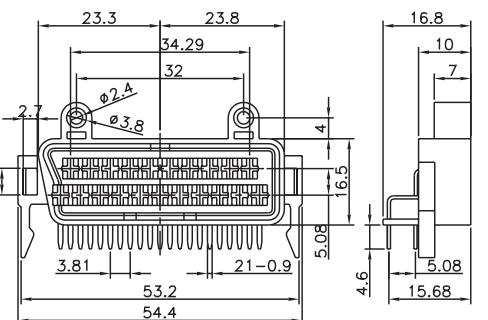
Ordering Information



PCB Layout



<Two Top Screw Mounting Holes>





C214 Series

**Scart Socket, Right Angle,
W/O Boardlock**

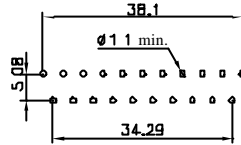
Specifications:

Contact Resistance: 100mΩ @ 100mADC
 Insulator Resistance: 1000MΩ min. @ 500VDC
 Current Rating: 3AMP
 Voltage: 1000VAC For 1 minute
 Operating Temperature: -55°C ~ +105°C
 Contact: Brass or Phosphor Bronze, Tin Plated
 Housing: PC or ABS, UL94V-0

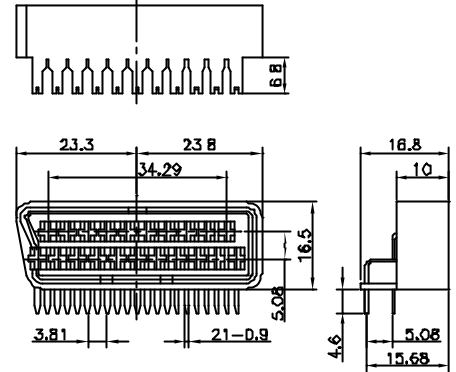
Ordering Information

C214- S
 Series No. | Tail Orientation:
 S-Standard
 R-Reverse

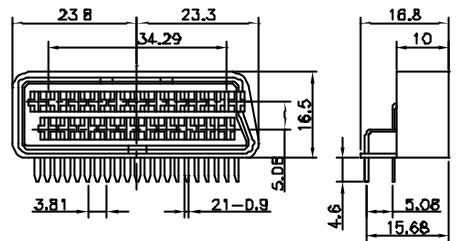
PCB Layout



<Standard Type>



<Reverse Type>



C221 Series

**Double Scart Socket,
Right Angle, Central Hole**

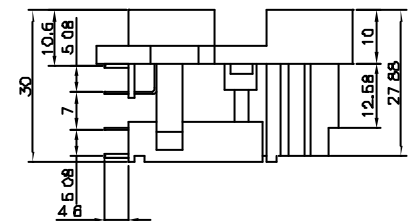
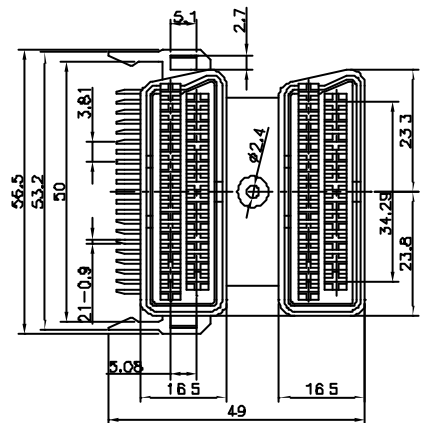
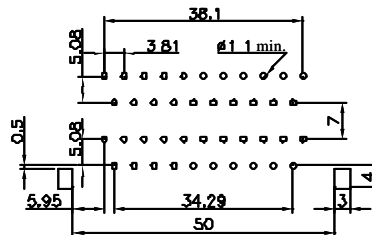
Specifications:

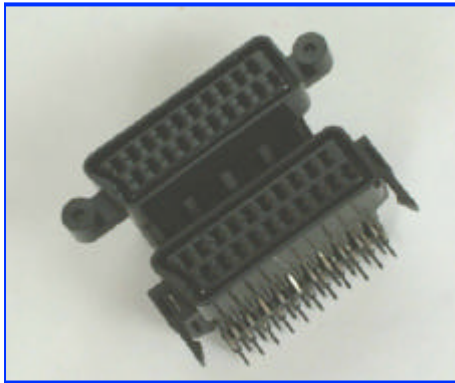
Contact Resistance: 100mΩ @ 100mADC
 Insulator Resistance: 1000MΩ min. @ 500VDC
 Current Rating: 3AMP
 Voltage: 1000VAC For 1 minute
 Operating Temperature: -55°C ~ +105°C
 Contact: Brass or Phosphor Bronze, Tin Plated
 Housing: PC or ABS, UL94V-0

Ordering Information

C221- S A A
 Series No. | Additional Form:
 A- W/O Side Holes
 Tail Orientation: | Shielding Metal:
 S-Standard | A- W/O Metal Shield
 R-Reverse | B- Metal Shield

PCB Layout



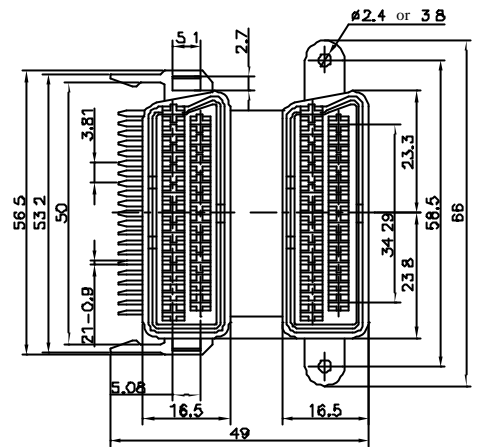


C222 Series

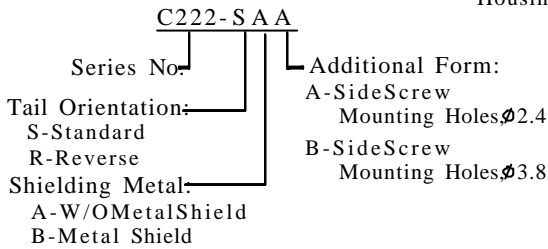
**Double Scart Socket,
Right Angle, Side Holes**

Specifications:

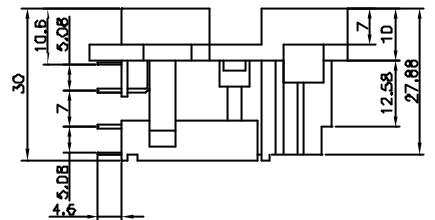
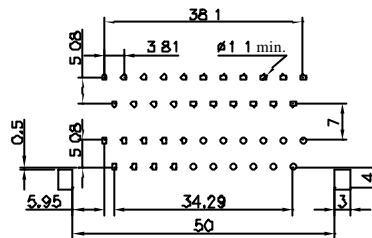
Contact Resistance: 100mΩ @ 100mADC
 Insulator Resistance: 1000MΩmin. @ 500VDC
 Current Rating: 3AMP
 Voltage: 1000VAC For 1 minute
 Operating Temperature: -55°C ~ +105°C
 Contact: Brass or Phosphor Bronze, Tin Plated
 Housing: PC or ABS, UL94V-0



Ordering Information



PCB Layout

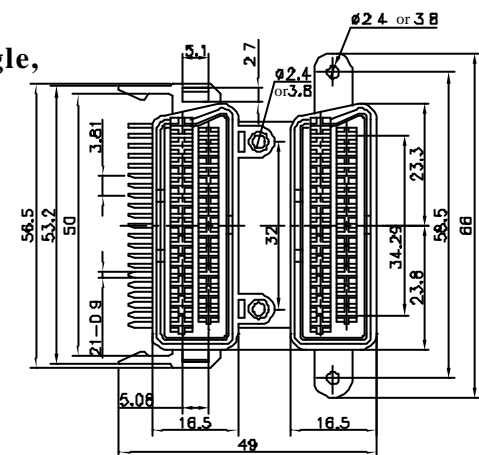


C223 Series

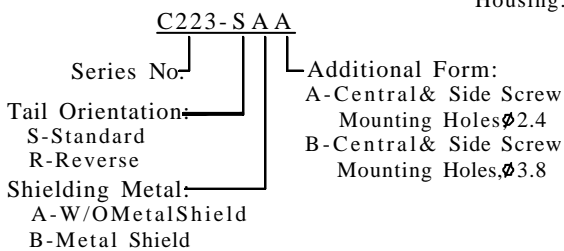
**Double Scart Socket, Right Angle,
Central & Side Holes**

Specifications:

Contact Resistance: 100mΩ @ 100mADC
 Insulator Resistance: 1000MΩmin. @ 500VDC
 Current Rating: 3AMP
 Voltage: 1000VAC For 1 minute
 Operating Temperature: -55°C ~ +105°C
 Contact: Brass or Phosphor Bronze, Tin Plated
 Housing: PC or ABS, UL94V-0



Ordering Information



PCB Layout

