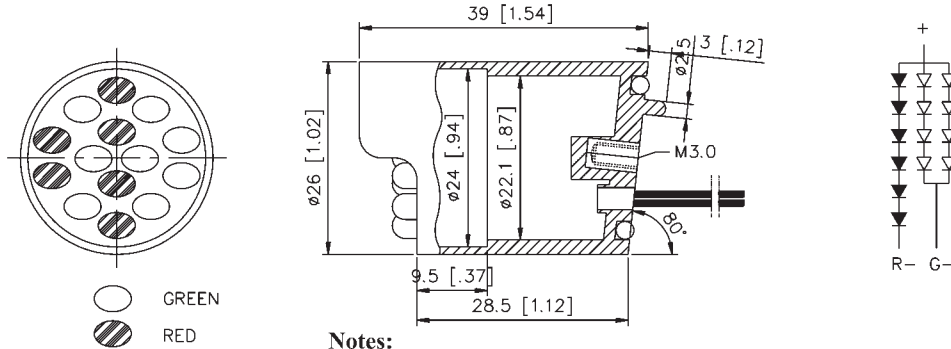


## 0267RG 26mm Multi-Color LED Cluster



**Notes:**

1. The combination of the lamps, especially the color and brightness, can be **customized**.
2. All dimensions are in millimeters (inches).

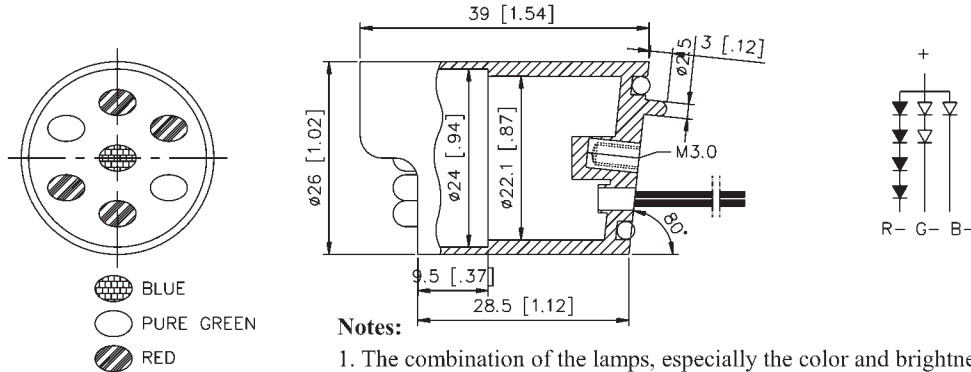
● **Absolute Maximum Ranges (Ta=25±3°C)**

		RED	GREEN
Power Dissipation	P <sub>D</sub>	0.3W	0.6W
DC Forward Current	I <sub>F</sub>	25mA	60mA
Reverse Voltage	V <sub>R</sub>	36V	24V
Operating Temperature	T <sub>opr</sub>	-25~+80°C	-25~+80°C
Storage Temperature	T <sub>stg</sub>	-30~+100°C	-30~+100°C

● **Electrical and Optical Characteristics (Ta=25±3°C)**

Color	V <sub>f</sub> (V) at I <sub>f</sub> =20mA			λ <sub>p</sub> (nm) Typ.	I <sub>v</sub> (mcd) Typ.	Viewing Angle 2θ1/2(°)
	Min.	Typ.	Max.			
Red	11.7	12.12	12.24	630±5	800	40
Green	8.8	9.12	9.2	570±5	300	40

## 0261RGB 26mm Full-Color LED Cluster



**Notes:**

1. The combination of the lamps, especially the color and brightness, can be **customized**.
2. All dimensions are in millimeters (inches).

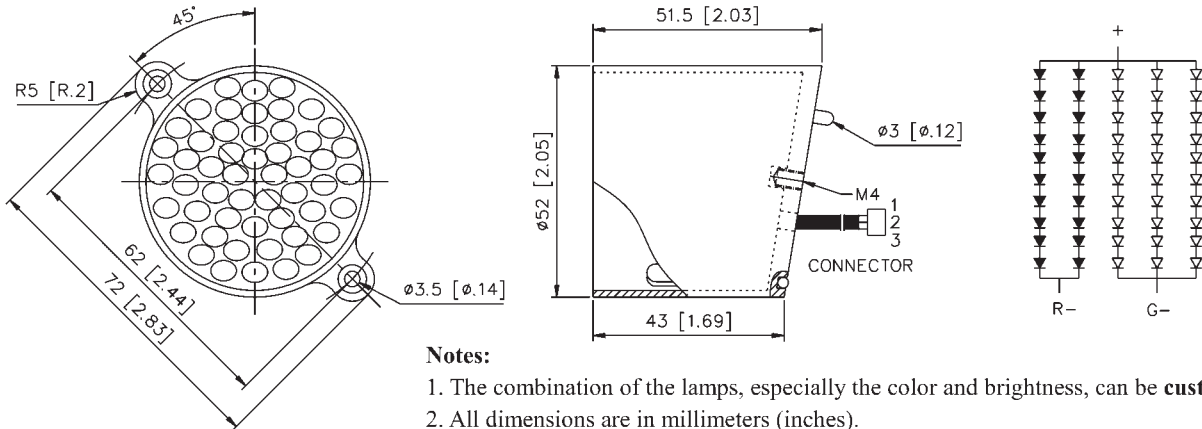
● **Absolute Maximum Ranges (Ta=25±3°C)**

		RED	GREEN	BLUE
Power Dissipation	P <sub>D</sub>	0.2W	0.22W	0.1W
DC Forward Current	I <sub>F</sub>	25mA	30mA	30mA
Reverse Voltage	V <sub>R</sub>	24V	12V	6V
Operating Temperature	T <sub>opr</sub>	-25~+80°C	-25~+80°C	-25~+80°C
Storage Temperature	T <sub>stg</sub>	-30~+100°C	-30~+100°C	-30~+100°C

● **Electrical and Optical Characteristics (Ta=25±3°C)**

Color	V <sub>f</sub> (V) at I <sub>f</sub> =20mA			λ <sub>p</sub> (nm) Typ.	I <sub>v</sub> (mcd) Typ.	Viewing Angle 2θ1/2(°)
	Min.	Typ.	Max.			
Red	7.8	8.08	8.16	630±5	800	40
Pure Green	6.96	7.16	7.24	525±5	800	40
Blue	3.15	3.22	3.28	470±5	900	40

## 0501RG 52mm Multi-Color LED Cluster



**Notes:**

1. The combination of the lamps, especially the color and brightness, can be **customized**.
2. All dimensions are in millimeters (inches).

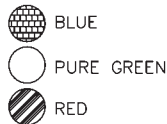
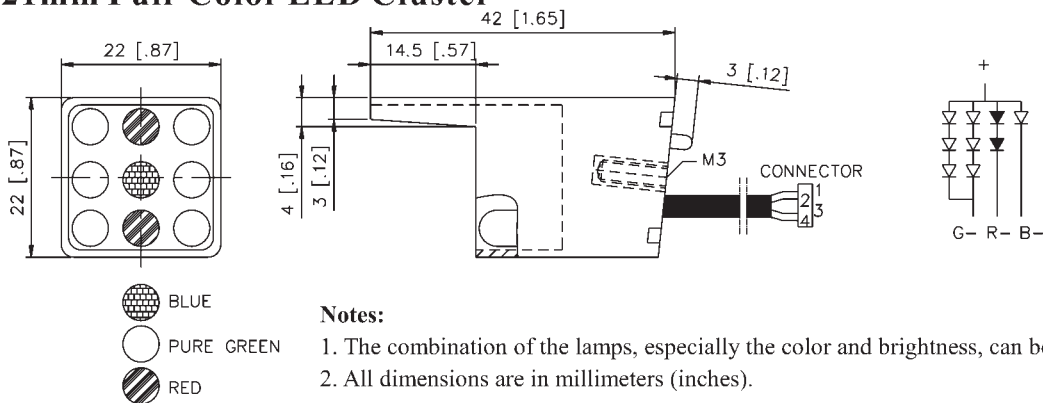
● **Absolute Maximum Ranges (Ta=25±3°C)**

		RED	GREEN
Power Dissipation	P <sub>D</sub>	1.2W	2.25W
DC Forward Current	I <sub>F</sub>	50mA	60mA
Reverse Voltage	V <sub>R</sub>	60V	90V
Operating Temperature	T <sub>opr</sub>	-25~+80°C	-25~+80°C
Storage Temperature	T <sub>stg</sub>	-30~+100°C	-30~+100°C

● **Electrical and Optical Characteristics (Ta=25±3°C)**

Color	V <sub>f</sub> (V) at I <sub>f</sub> =20mA			λ <sub>p</sub> (nm) Typ.	I <sub>v</sub> (mcd) Typ.	Viewing Angle 2θ1/2(°)
	Min.	Typ.	Max.			
Red	19.5	20.2	20.4	630±5	800	40
Green	22	22.8	23	570±5	300	40

## 0211RGB 21mm Full-Color LED Cluster



**Notes:**

1. The combination of the lamps, especially the color and brightness, can be **customized**.
2. All dimensions are in millimeters (inches).

● **Absolute maximum Ranges (Ta=25±3°C)**

		RED	GREEN	BLUE
Power Dissipation	P <sub>D</sub>	0.1W	0.45W	0.1W
DC Forward Current	I <sub>F</sub>	25mA	60mA	30mA
Reverse Voltage	V <sub>R</sub>	12V	18V	6V
Operating Temperature	T <sub>opr</sub>	-25~+80°C	-25~+80°C	-25~+80°C
Storage Temperature	T <sub>stg</sub>	-30~+100°C	-30~+100°C	-30~+100°C

● **Electrical and Optical Characteristics (Ta=25±3°C)**

Color	V <sub>f</sub> (V) at I <sub>f</sub> =20mA			λ <sub>p</sub> (nm) Typ.	I <sub>v</sub> (mcd) Typ.	Viewing Angle 2θ1/2(°)
	Min.	Typ.	Max.			
Red	3.9	4.04	4.08	630±5	800	30
Green	6.6	6.84	6.9	570±5	300	30
Blue	3.15	3.22	3.28	470±5	900	30

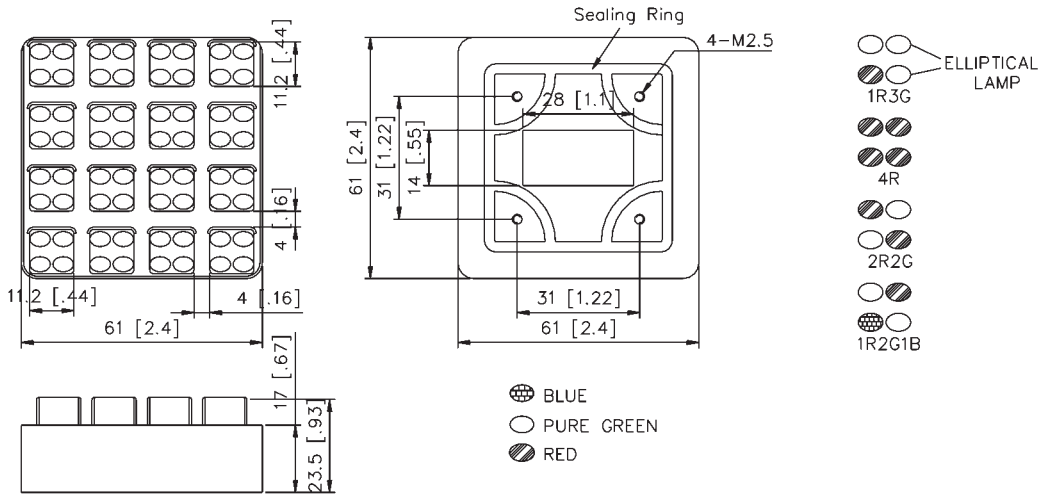
● Absolute Maximum Ranges (Ta=25±3°C)

		RED	GREEN	BLUE
Power Dissipation	P <sub>D</sub>	0.08W/pc	0.08W/pc	0.1W/pc
DC Forward Current	I <sub>F</sub>	25mA	30mA	30mA
Reverse Voltage	V <sub>R</sub>	6V	6V	6V
Operating Temperature	T <sub>opr</sub>	-25~+80°C	-25~+80°C	-25~+80°C
Storage Temperature	T <sub>stg</sub>	-30~+100°C	-30~+100°C	-30~+100°C

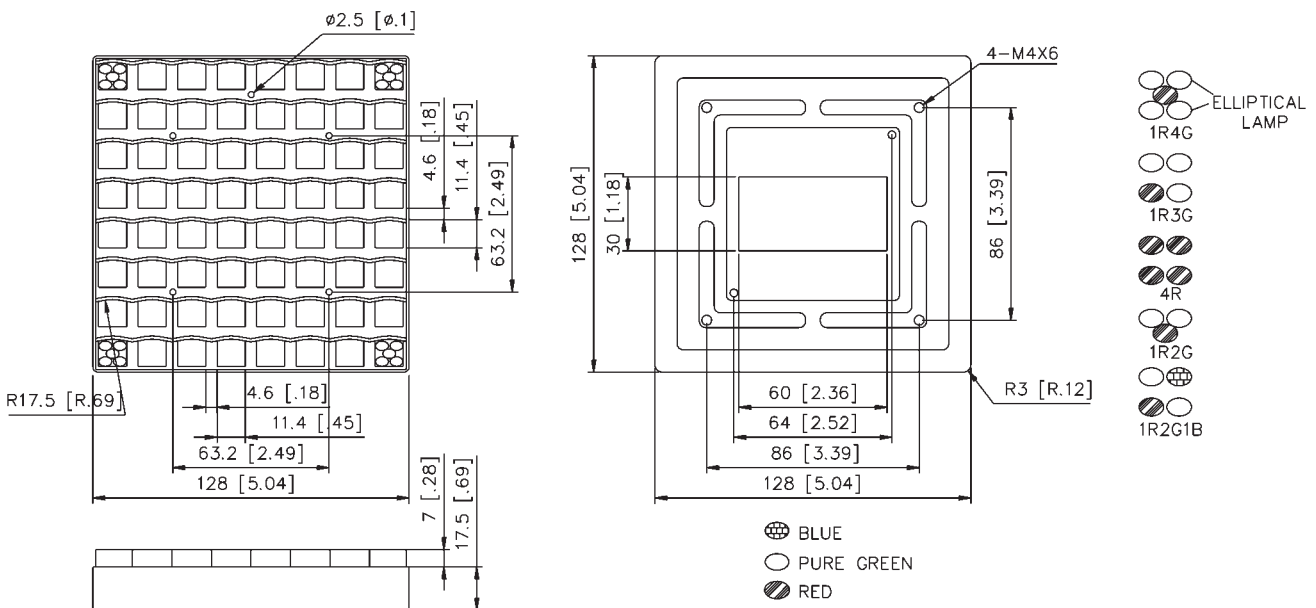
● Electrical and Optical Characteristics (Ta=25±3°C)

Color	V <sub>f</sub> (V) at I <sub>f</sub> =20mA			λ <sub>p</sub> (nm) Typ.	I <sub>v</sub> (mcd) Typ.	Viewing Angle 2θ1/2(°)
	Min.	Typ.	Max.			
Red	nx1.95	nx2.02	nx2.04	630±5	800	40
Green	nx2.2	nx2.28	nx2.3	525±5	300	40
Blue	3.15	3.22	3.28	470±5	900	40

### 4X4 LED Matrix Cluster



### 8X8 LED Matrix Cluster



**Notes:**

1. The combination of the lamps, especially the color and brightness, can be customized.
2. All dimensions are in millimeters (inches).