

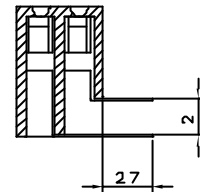
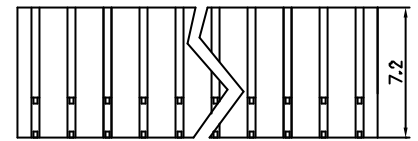
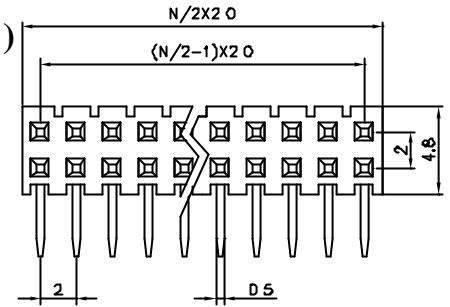


C117-A Series

Female Header, 2.0mm(0.079")

Specifications:

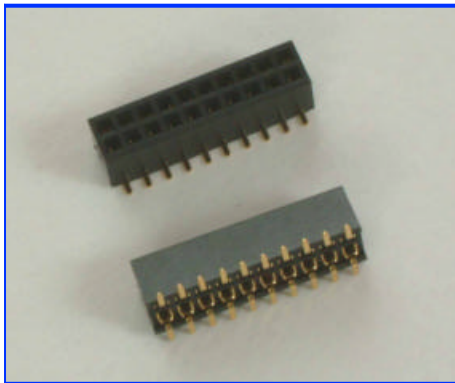
Contact Resistance:30mΩ @ 100mADC
 Insulator Resistance:1000MΩmin. @ 500VDC
 Current Rating:1AMP
 Voltage:500VAC For 1 minute
 Operating Temperature:-55°C~+105°C
 Contact:Brass or Phosphor Bronze,Stamped
 Housing:PBT,UL94V-0



Ordering Information

C117-A-DS80G

Series No. | Contact Plating:
 D-DualRow | T-Tinned
 S-SingleRow | G-Gold Flash All Over
 Pin Direction: | No. of Pins:
 S-Straight | 02~40 for Single Row
 R-RightAngle | 04~80 for Dual Row

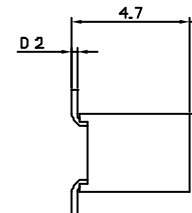
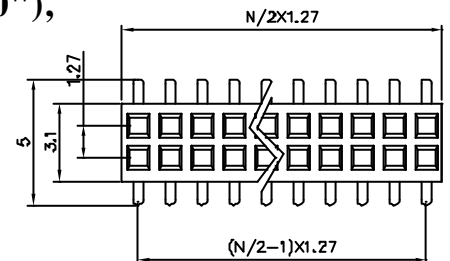


C117-B Series

**Female Header, 1.27mm(0.050"),
SMT Type**

Specifications:

Contact Resistance:30mΩ @ 100mADC
 Insulator Resistance:1000MΩmin. @ 500VDC
 Current Rating:1AMP
 Voltage:500VAC For 1 minute
 Operating Temperature:-55°C~+105°C
 Contact:Brass or Phosphor Bronze,Stamped
 Housing:Nylon 6T,UL94V-0



Ordering Information

C117-B-80G

Series No. | Contact Plating:
 T-Tinned
 G-Gold Flash All Over
 No. Of Pins:
 06~100