

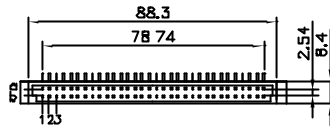
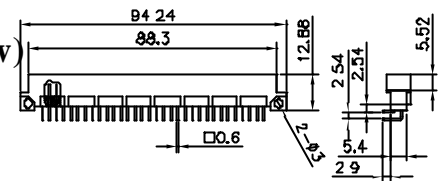
C144 Series

DIN41612 B Type(Dual Row)

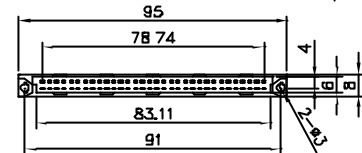
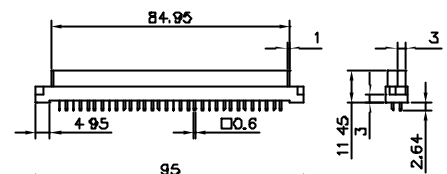
Specifications:

Contact Resistance:30mΩ @100mADC
 Insulator Resistance:1000MΩmin. @500VDC
 Current Rating:2AMP
 Voltage:1000VAC For 1 minute
 Operating Temperature:-55°C~+105°C
 Contact:Brass or Phosphor Bronze,Stamped
 Housing:PBT,UL94V-0

<Male>



<Female>

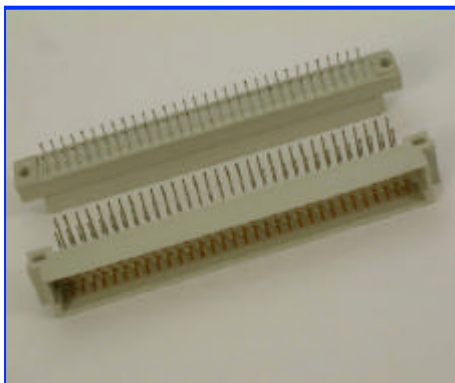


Ordering Information

C144-MA32TW

Series No. _____
 Gender: _____
 M-Male (Right Angle)
 F-Female (Dip Solder)
 Pitch: _____
 A-2.54mm
 B-5.08mm
 Termination Type:
 W-Wire Wrap
 D-Dip
 I-IDC
 Tinned Dip Tail
 & Gold Plated Contact
 No. of Pins:
 16,32,64

Pitch	Positions	Effective Rows
2.54	64	a b
	32	a -
5.08	32	a b
	16	a -



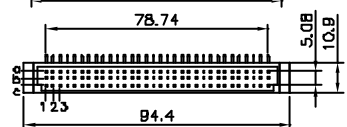
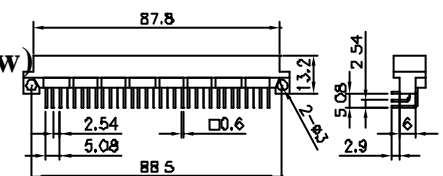
C146 Series

DIN41612 C Type(Triple Row)

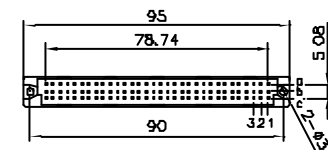
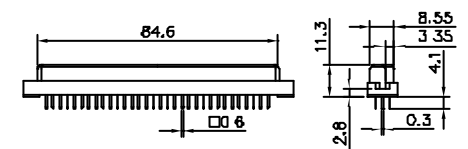
Specifications:

Contact Resistance:30mΩ @100mADC
 Insulator Resistance:1000MΩmin. @500VDC
 Current Rating:2AMP
 Voltage:1000VAC For 1 minute
 Operating Temperature:-55°C~+105°C
 Contact:Brass or Phosphor Bronze,Stamped
 Housing:PBT,UL94V-0

<Male>



<Female>

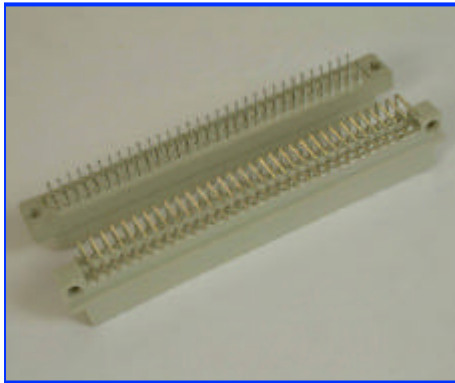


Ordering Information

C146-MA32TW

Series No. _____
 Gender: _____
 M-Male (Right Angle)
 F-Female (Dip Solder)
 Pitch: _____
 A-2.54mm
 B-5.08mm
 Termination Type:
 W-Wire Wrap
 D-Dip
 I-IDC
 Tinned Dip Tail
 & Gold Plated Contact
 No. of Pins:
 32,48,64,96

Pitch	Positions	Effective Rows
2.54	96	a b c
	64	a - c
5.08	48	a b c
	32	a - c



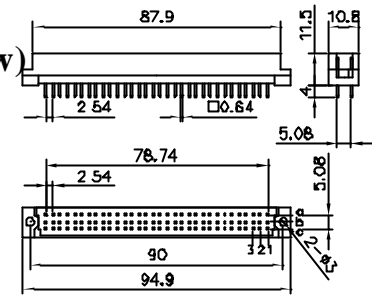
C147 Series

DIN41612 R Type(Triple Row)

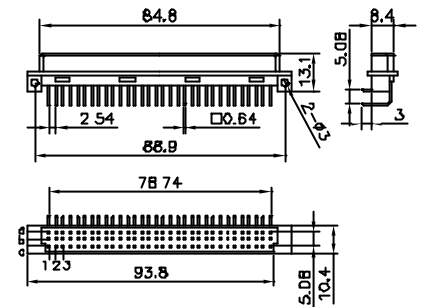
Specifications:

Contact Resistance:30mΩ @ 100mADC
 Insulator Resistance:1000MΩmin. @ 500VDC
 Current Rating:2AMP
 Voltage:1000VAC For 1 minute
 Operating Temperature:-55°C~+105°C
 Contact:Brass or Phosphor Bronze,Stamped
 Housing:PBT,UL94V-0

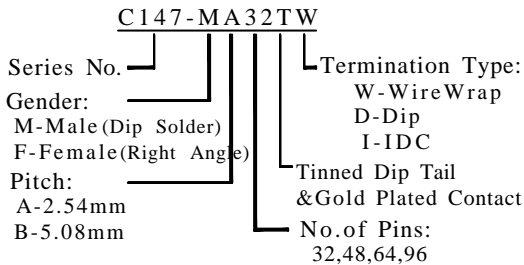
<Male>



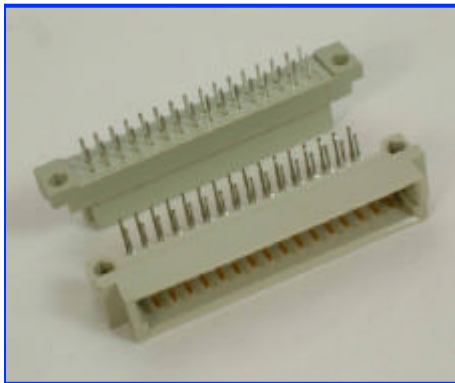
<Female>



Ordering Information



Pitch	Positions	Effective Rows
2.54	96	a b c
	64	a - c
5.08	48	a b c
	32	a - c



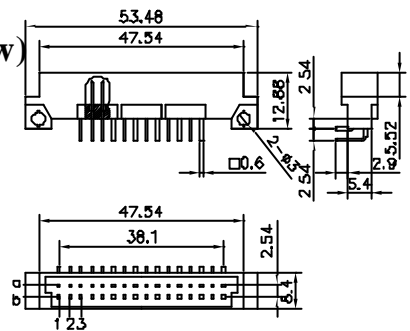
C148 Series

DIN41612 B/2 Type(Dual Row)

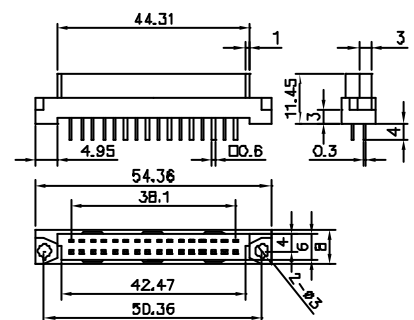
Specifications:

Contact Resistance:30mΩ @ 100mADC
 Insulator Resistance:1000MΩmin. @ 500VDC
 Current Rating:2AMP
 Voltage:1000VAC For 1 minute
 Operating Temperature:-55°C~+105°C
 Contact:Brass or Phosphor Bronze,Stamped
 Housing:PBT,UL94V-0

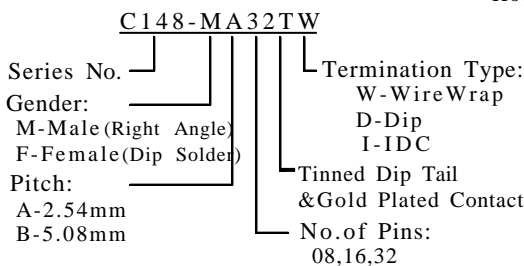
<Male>



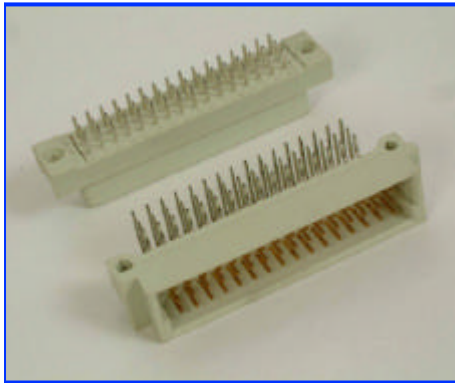
<Female>



Ordering Information



Pitch	Positions	Effective Rows
2.54	32	a b
	16	a -
5.08	16	a b
	08	a -



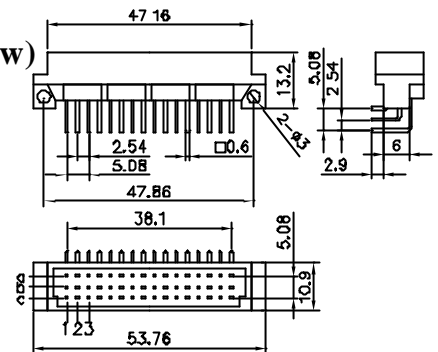
C149 Series

DIN41612 C/2 Type(Triple Row)

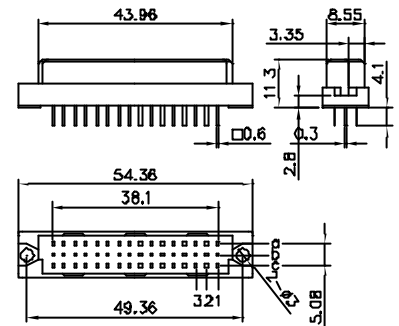
Specifications:

Contact Resistance:30mΩ @ 100mADC
 Insulator Resistance:1000MΩmin. @ 500VDC
 Current Rating:2AMP
 Voltage:1000VAC For 1 minute
 Operating Temperature:-55°C~+105°C
 Contact:Brass or Phosphor Bronze,Stamped
 Housing:PBT,UL94V-0

<Male>



<Female>



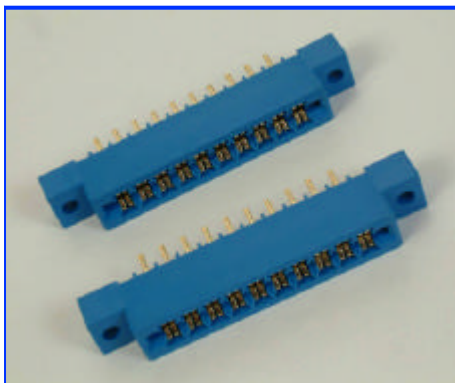
Ordering Information

C149-MA32TW

Series No.
 Gender:
 M-Male (RightAngle)
 F-Female (DipSolder)
 Pitch:
 A-2.54mm
 B-5.08mm

Termination Type:
 W-Wire Wrap
 D-Dip
 I-IDC
 Tinned Dip Tail & Gold Plated Contact
 No. of Pins:
 16,24,32,48

Pitch	Positions	Effective Rows
2.54	48	a b c
	32	a - c
5.08	24	a b c
	16	a - c

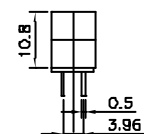
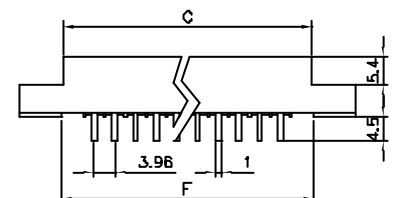
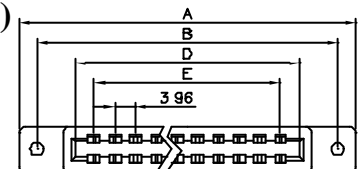


C159 Series

Edge Connector,3.96mm(0.156")

Specifications:

Contact Resistance:16mΩ @ 100mADC
 Insulator Resistance:5000MΩmin. @ 500VDC
 Current Rating:2AMP
 Voltage:1600VAC For 1 minute
 Operating Temperature:-55°C~+105°C
 Contact:Brass or Phosphor Bronze,GoldPlated
 Housing:PC,UL94V-0



Ordering Information

C159-241

Series No.
 No. of Pins:
 20,24,30,36,
 44,56,72

Termination Type:
 1-Solder Eyelet
 2-DipSolder
 3-BusBar

Positions	A	B	C	D	E	F
20	64.30	57.64	47.60	44.30	35.64	48.20
24	68.94	62.59	54.85	51.62	43.56	53.85
30	80.87	74.52	66.78	63.55	55.44	65.78
36	92.78	86.43	78.69	75.46	67.32	77.69
44	108.66	102.31	94.57	91.34	83.16	93.57
56	132.48	126.13	118.39	115.16	106.92	117.39
72	164.16	157.81	150.07	146.84	138.60	149.07