

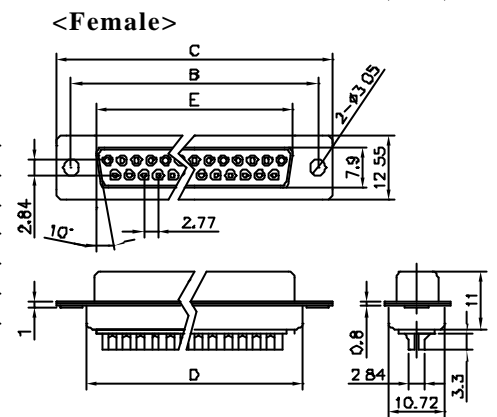
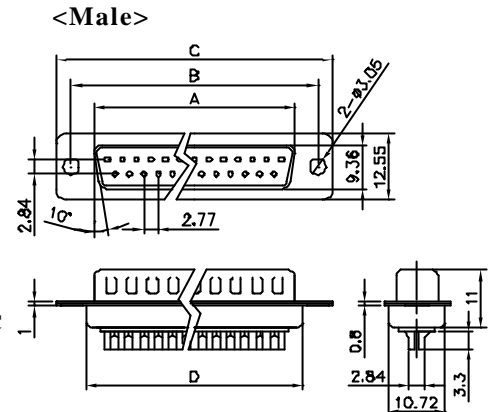


C100 Series

D-Sub Solder Type

Specifications:

Contact Resistance: 30mΩ @ 100mADC
 Insulator Resistance: 1000MΩmin. @ 500VDC
 Current Rating: 5AMP
 Voltage: 1000VAC For 1 minute
 Operating Temperature: -55°C ~ +105°C
 Contact: Brass or Phosphor Bronze, Stamped
 Housing: PBT, UL94V-0

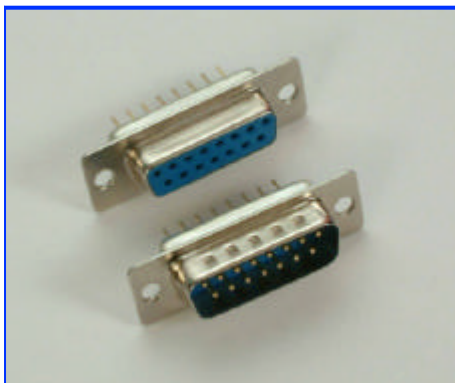


Ordering Information

C100-25FTB0

Series No. Screw Type:
 No. of Pins: 09, 15, 25, 37, 50 0-W/O Screws
 Gender: M-Male 1-Screw #4-40
 F-Female
 Shell Plating: C-Chromeplated
 T-Tinned
 Insulator Colour:
 B-Blue
 K-Black
 W-White

Positions	A	B	C	D	E
09	16.92	24.99	30.81	19.36	16.33
15	25.25	33.32	39.14	27.64	24.66
25	38.96	47.04	53.04	41.08	38.38
37	55.42	63.50	69.32	57.38	54.84
50	52.86	61.11	66.90	55.30	52.34

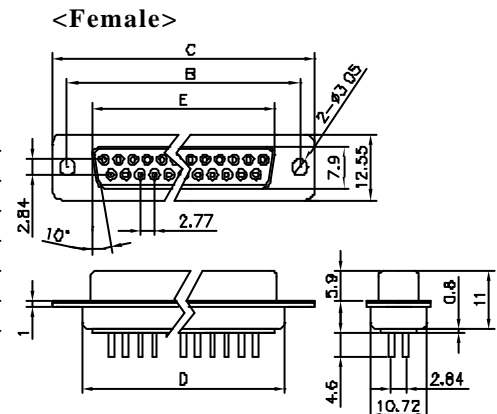
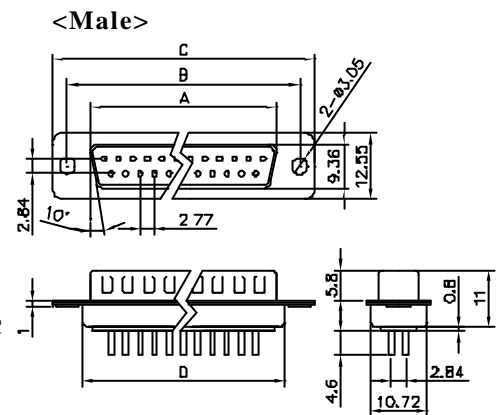


C101 Series

D-Sub Dip Type, Straight

Specifications:

Contact Resistance: 30mΩ @ 100mADC
 Insulator Resistance: 1000MΩmin. @ 500VDC
 Current Rating: 5AMP
 Voltage: 1000VAC For 1 minute
 Operating Temperature: -55°C ~ +105°C
 Contact: Brass or Phosphor Bronze, Stamped
 Housing: PBT, UL94V-0

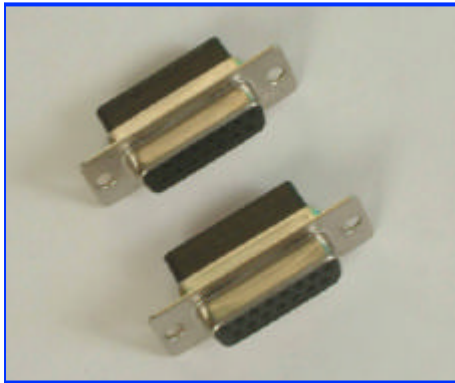


Ordering Information

C101-25FTB0

Series No. Screw Type:
 No. of Pins: 09, 15, 25, 37, 50 0-W/O Screws
 Gender: M-Male 1-Screw #4-40
 F-Female
 Shell Plating: C-Chromeplated
 T-Tinned
 Insulator Colour:
 B-Blue
 K-Black
 W-White

Positions	A	B	C	D	E
09	17.78	24.99	31.04	19.36	16.33
15	26.15	33.32	39.24	27.64	24.66
25	39.94	47.04	53.04	41.08	38.38
37	56.56	63.50	69.62	57.38	54.84
50	52.86	61.11	66.90	55.30	52.34

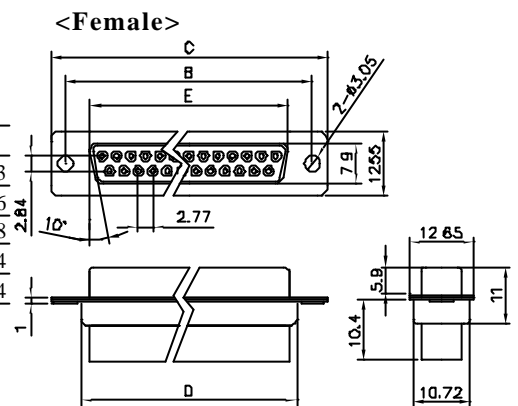
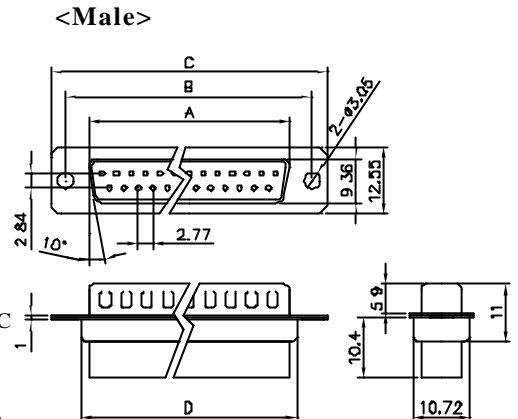


C102 Series

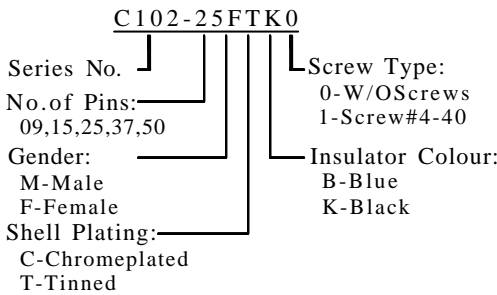
D-Sub Crimp Type

Specifications:

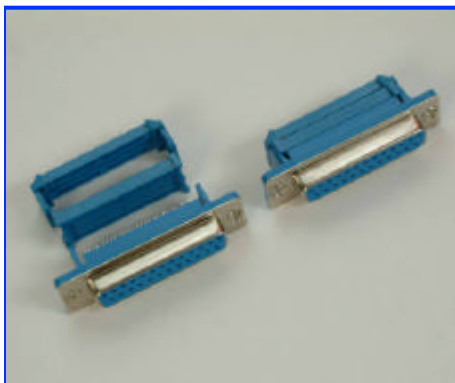
Contact Resistance: 30mΩ @ 100mADC
 Insulator Resistance: 1000MΩmin. @ 500VDC
 Current Rating: 5AMP
 Voltage: 1000VAC For 1 minute
 Operating Temperature: -55°C ~ +105°C
 Contact: Brass or Phosphor Bronze, Stamped
 Housing: PBT, UL94V-0



Ordering Information



Positions	A	B	C	D	E
09	17.78	24.99	31.04	19.36	16.33
15	26.15	33.32	39.24	27.64	24.66
25	39.94	47.04	53.04	41.08	38.38
37	56.56	63.50	69.62	57.38	54.84
50	52.86	61.11	66.90	55.30	52.34

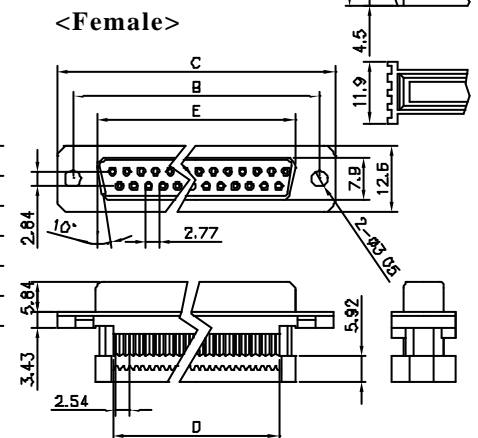
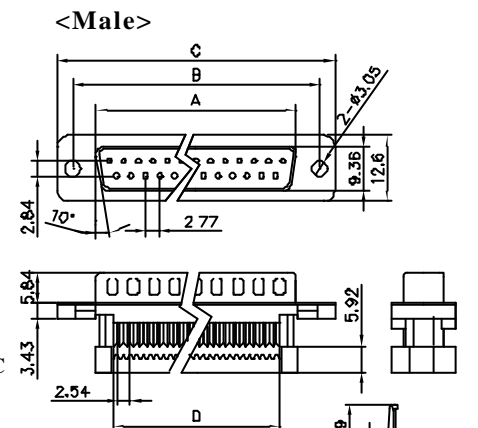


C103 Series

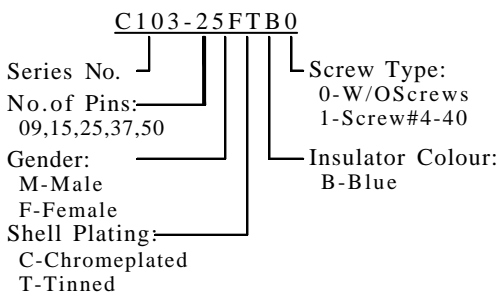
D-Sub IDC Type

Specifications:

Contact Resistance: 30mΩ @ 100mADC
 Insulator Resistance: 1000MΩmin. @ 500VDC
 Current Rating: 1AMP
 Voltage: 500VAC For 1 minute
 Operating Temperature: -55°C ~ +105°C
 Contact: Brass or Phosphor Bronze, Stamped
 Housing: PBT, UL94V-0



Ordering Information



Positions	A	B	C	D	E
09	17.78	24.99	31.04	19.36	16.33
15	26.15	33.32	39.24	27.64	24.66
25	39.94	47.04	53.04	41.08	38.38
37	56.56	63.50	69.62	57.38	54.84
50	52.86	61.11	66.90	55.30	52.34



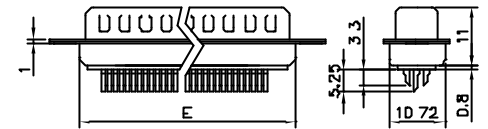
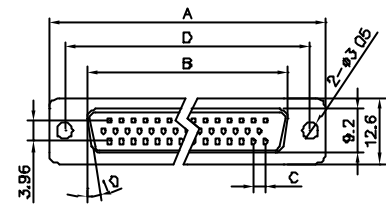
C104 Series

D-Sub H.D. Solder Type

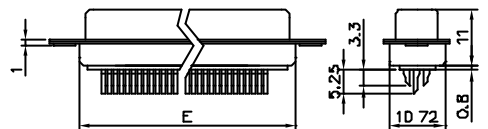
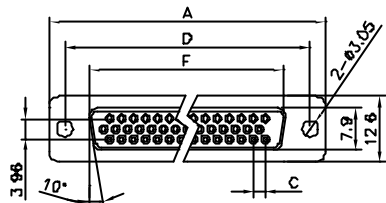
Specifications:

Contact Resistance:30mΩ @ 100mADC
 Insulator Resistance:1000MΩmin. @ 500VDC
 Current Rating:3AMP
 Voltage:1000VAC For 1 minute
 Operating Temperature:-55°C~+105°C
 Contact:Brass or Phosphor Bronze,Stamped
 Housing:PBT,UL94V-0

<Male>



<Female>

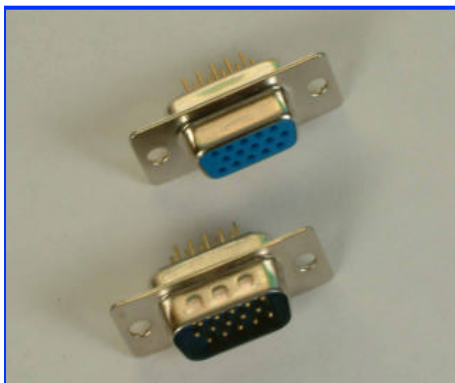


Ordering Information

C104-26FTB0

Series No. | Screw Type:
 No. of Pins: 15,26,44,62 | 0-W/O Screws
 Gender: M-Male | 1-Screw#4-40
 F-Female | Insulator Colour:
 Shell Plating: C-Chromeplated | B-Blue
 T-Tinned | K-Black
 W-White

Positions	A	B	C	D	E	F
15	30.90	17.70	2.29	24.99	19.30	16.33
26	39.10	25.30	2.29	33.32	27.50	24.70
44	53.00	39.00	2.29	47.04	41.30	38.40
62	69.30	55.40	2.41	63.50	57.70	54.80



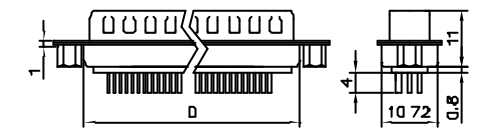
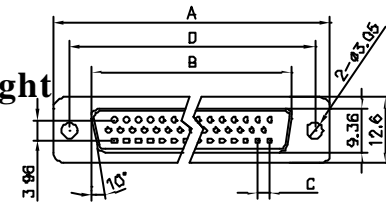
C105 Series

D-Sub H.D. Dip Type, Straight

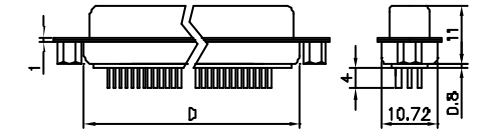
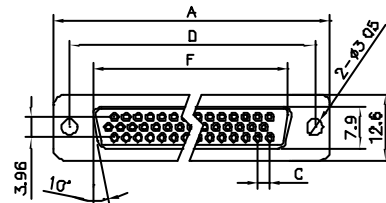
Specifications:

Contact Resistance:30mΩ @ 100mADC
 Insulator Resistance:1000MΩmin. @ 500VDC
 Current Rating:3AMP
 Voltage:1000VAC For 1 minute
 Operating Temperature:-55°C~+105°C
 Contact:Brass or Phosphor Bronze, Stamped
 Housing:PBT,UL94V-0

<Male>



<Female>

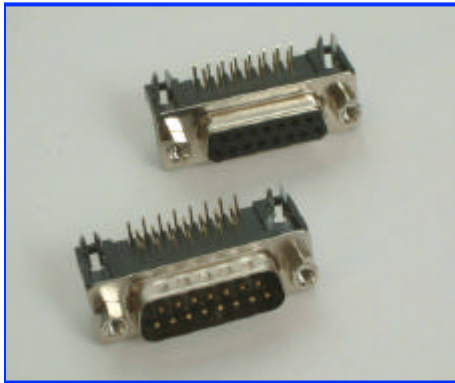


Ordering Information

C105-26FTB0

Series No. | Screw Type:
 No. of Pins: 15,26,44,62 | 0-W/O Screws
 Gender: M-Male | 1-Screw#4-40
 F-Female | Insulator Colour:
 Shell Plating: C-Chromeplated | B-Blue
 T-Tinned | K-Black
 W-White

Positions	A	B	C	D	E	F
15	30.90	17.70	2.29	24.99	19.30	16.33
26	39.10	25.30	2.29	33.32	27.50	24.70
44	53.00	39.00	2.29	47.04	41.30	38.40
62	69.30	55.40	2.41	63.50	57.70	54.80



C107 Series

D-Sub Right Angle Type

Specifications:

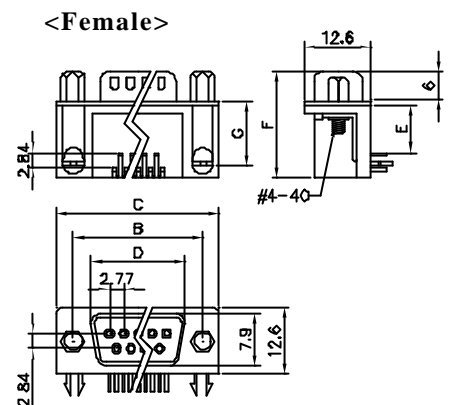
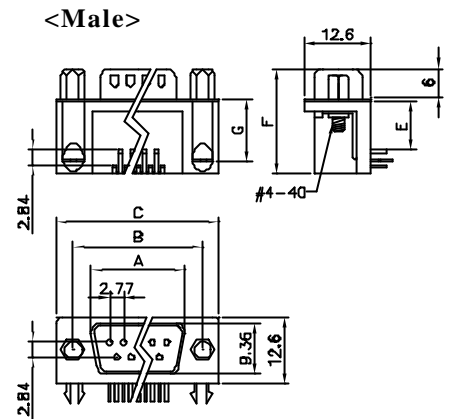
Contact Resistance: 30mΩ @ 100mADC
 Insulator Resistance: 1000MΩmin. @ 500VDC
 Current Rating: 5AMP
 Voltage: 1000VAC For 1 minute
 Operating Temperature: -55°C ~ +105°C
 Contact: Brass or Phosphor Bronze, Stamped
 Housing: PBT, UL94V-0

Ordering Information

C107-25FTB01	
Series No.	1-7.2mm Footprint
No. of Pins: 09, 15, 25, 37, 50	2-9.4mm Footprint
Gender: M-Male F-Female	3-13.84mm Footprint
Shell Plating: C-Chromeplated T-Tinned	Screw Type: 0-#4-40, W/ORivet 1-#4-40, Rivet
	Insulator Colour: B-Blue K-Black W-White

Positions	A	B	C	D
09	17.78	24.99	31.04	16.33
15	26.15	33.32	39.24	24.66
25	39.94	47.04	53.04	38.66
37	56.56	63.50	69.62	54.84
50	52.86	61.11	66.90	52.34

Footprint	E	F	G
1	7.2	18.40	9.62
2	9.4	20.64	12.06
3	13.84	25.30	16.50



C108 Series

D-Sub H.D. Right Angle Type

Specifications:

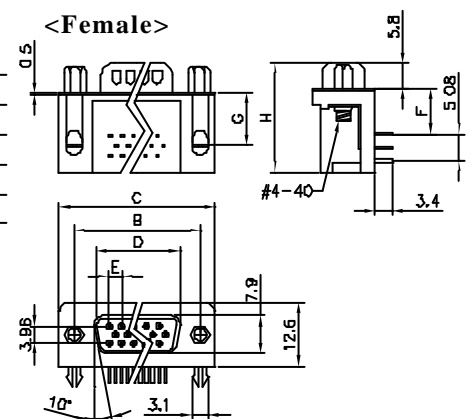
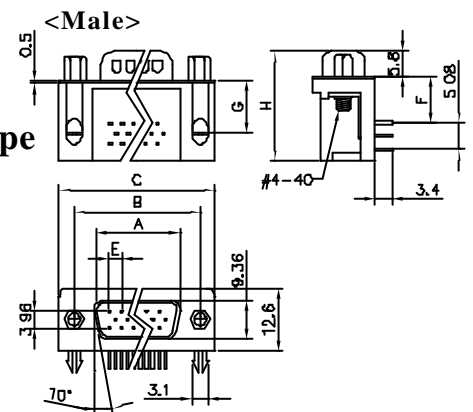
Contact Resistance: 30mΩ @ 100mADC
 Insulator Resistance: 1000MΩmin. @ 500VDC
 Current Rating: 3AMP
 Voltage: 1000VAC For 1 minute
 Operating Temperature: -55°C ~ +105°C
 Contact: Brass or Phosphor Bronze, Stamped
 Housing: PBT, UL94V-0

Ordering Information

C108-26FTB01	
Series No.	1-3.08mm Footprint
No. of Pins: 15, 26, 44, 62	2-9.4mm Footprint
Gender: M-Male F-Female	Screw Type: 0-#4-40, W/ORivet 1-#4-40, Rivet
Shell Plating: C-Chromeplated T-Tinned	Insulator Colour: B-Blue K-Black W-White

Positions	A	B	C	D	E
15	17.78	24.99	31.04	16.33	2.29
26	26.15	33.32	39.24	24.66	2.29
44	39.94	47.04	53.04	38.66	2.29
62	56.56	63.50	69.62	54.84	2.41

Footprint	F	G	H
1	3.08	5.08	14.45
2	9.4	10.89	22.20

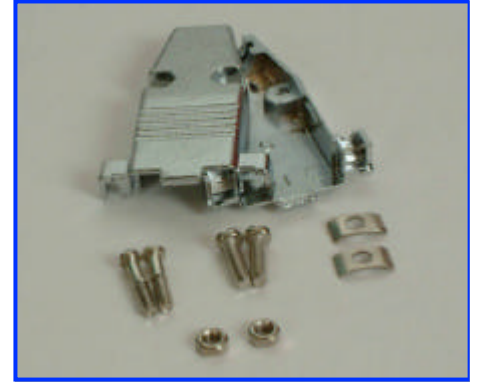


C109 Series

D-Sub Cover



<Plastic>

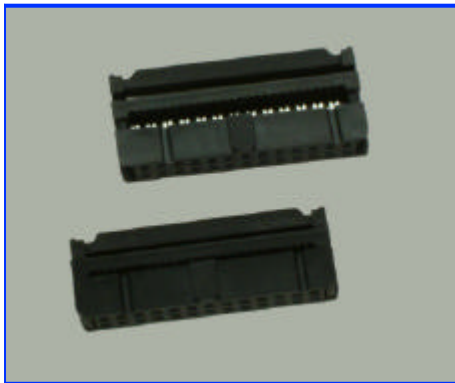


<Metal>

Ordering Information

C109-25PG

Series No.		Cover Colour:
No. of Pins: 09,15,25,37,50		
Cover Material:		
P - Plastic M - Metal		

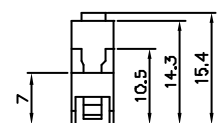
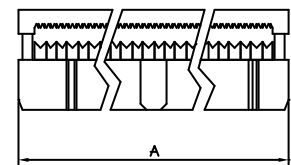
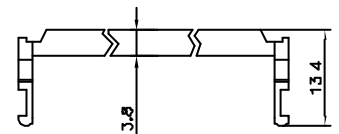
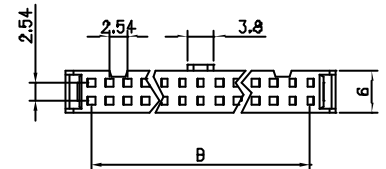


C110 Series

IDC Socket, 2.54mm(0.100")

Specifications:

Contact Resistance: 30mΩ @ 100mADC
 Insulator Resistance: 1000MΩmin. @ 500VDC
 Current Rating: 1AMP
 Voltage: 500VAC For 1 minute
 Operating Temperature: -55°C ~ +105°C
 Contact: Brass or Phosphor Bronze, Stamped
 Housing: PBT, UL94V-0



Ordering Information

C110-26TAK

Series No.		Insulator Colour:
No. of Pins: 08,10,14,16,20, 24,26,30,34,40, 44,50,60,64		
Contact Plating:		Strain Relief:
G- All Gold Plated T-Tinned Terminal & Gold Plated Contact		

Positions	A	B	Positions	A	B
08	14.73	7.62	30	42.67	35.56
10	17.27	10.16	34	47.75	40.64
14	22.35	15.24	40	55.37	48.26
16	24.89	17.78	50	68.07	60.96
20	29.97	22.86	60	80.77	73.66
26	37.59	30.48	64	85.85	78.74