



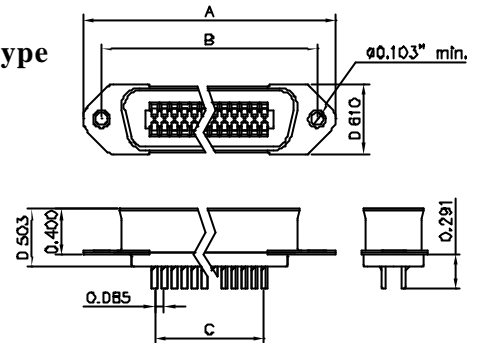
C190 Series

Centronic Connectors, Solder Type

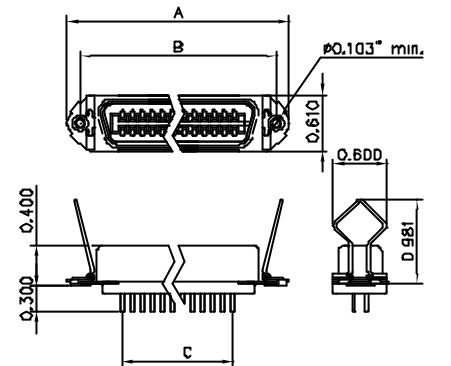
Specifications:

Contact Resistance: 30mΩ @ 100mADC
 Insulator Resistance: 5000MΩmin. @ 500VDC
 Current Rating: 5AMP
 Voltage: 1000VAC For 1 minute
 Operating Temperature: -55°C ~ +105°C
 Contact: Phosphor Bronze, Stamped
 Housing: PBT(30% Glass Fiber), UL94V-0
 Shell: Steel, Zinc Plated or Tinned

<Plug>



<Receptacle>

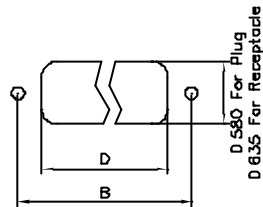


Dimensional Unit: inch

Ordering Information

Positions	A	B	C	D
36	2.660	2.152	1.445	1.876
50	3.260	2.947	2.040	2.470

Simplified Panel Cutout



C190-10500-0GB

Series No. _____
 Gender: _____
 10 - Male(Plug)
 20 - Female(Receptacle)
 W/O Latches
 40 - Female(Receptacle)
 Latches
 No. of Pins: _____
 36, 50
 Alternation Code _____
 (Meaningless)

Insulator Color:
 B-Blue
 K-Black
 G-Gray

Contact Plating:
 0G-Gold Flash
 05-5u" Selective Gold
 10-10u" Selective Gold
 15-15u" Selective Gold
 30-30u" Selective Gold

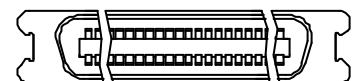
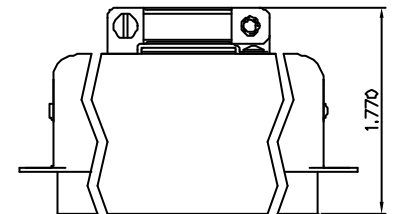
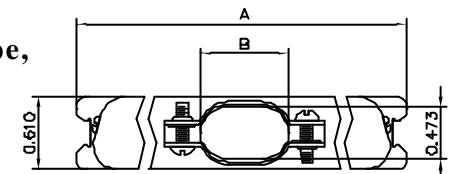


C191 Series

Centronic Connectors, Solder Type,
 Cable Running

Specifications:

Contact Resistance: 30mΩ @ 100mADC
 Insulator Resistance: 5000MΩmin. @ 500VDC
 Current Rating: 5AMP
 Voltage: 1000VAC For 1 minute
 Operating Temperature: -55°C ~ +105°C
 Contact: Phosphor Bronze, Stamped
 Housing: PBT(30% Glass Fiber), UL94V-0
 Shell: Steel, Zinc Plated or Tinned



Dimensional Unit: inch

Ordering Information

Positions	A	B
36	2.426	0.625
50	3.020	0.766

C191-30500-0GB

Series No. _____
 Gender: _____
 30 - Male(Plug), Latches
 40 - Female(Receptacle)
 Latches
 No. of Pins: _____
 36, 50
 Alternation Code _____
 (Meaningless)

Insulator Color:
 B-Blue
 K-Black
 G-Gray

Contact Plating:
 0G-Gold Flash
 05-5u" Selective Gold
 10-10u" Selective Gold
 15-15u" Selective Gold
 30-30u" Selective Gold



C192 Series

Centronic Connectors,
PCB Mounting

Specifications:

Contact Resistance:30mΩ @ 100mADC
 Insulator Resistance:5000MΩmin. @ 500VDC
 Current Rating:5AMP
 Voltage:1000VAC For 1 minute
 Operating Temperature:-55°C~+105°C
 Contact:Phosphor Bronze,Stamped
 Housing:PBT(30% Glass Fiber),UL94V-0
 Shell:Steel,Zinc Plated or Tinned
 PCBThickness:0.060~0.120inch

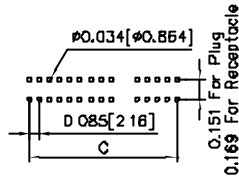
Ordering Information

C192-20500-0GB

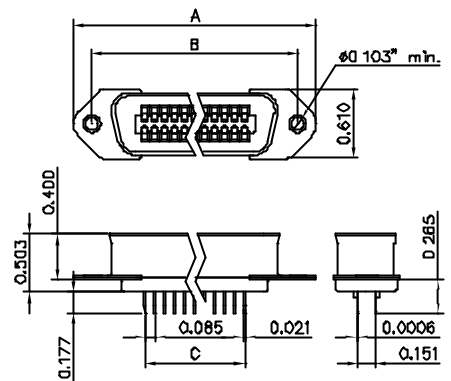
Series No. | Insulator Color:
 Gender: | B-Blue
 10 - Male(Plug) | K-Black
 20 - Female(Receptacle) | G-Gray
 W/O Latches | Contact Plating:
 40 - Female(Receptacle) | 0G-Gold Flash
 Latches | 05-5u"Selective Gold
 No. of Pins: | 10-10u"Selective Gold
 36,50 | 15-15u"Selective Gold
 Alternation Code | 30-30u"Selective Gold
 (Meaningless)

Positions	A	B	C	D
36	2.660	2.152	1.445	1.876
50	3.260	2.947	2.040	2.470

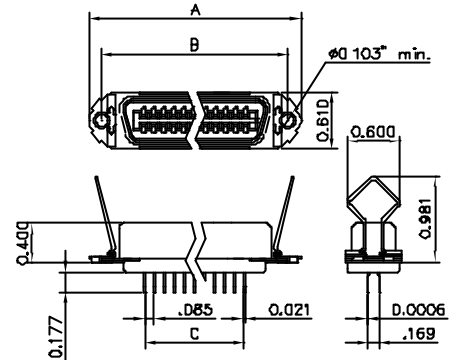
Recommended PCB Layout



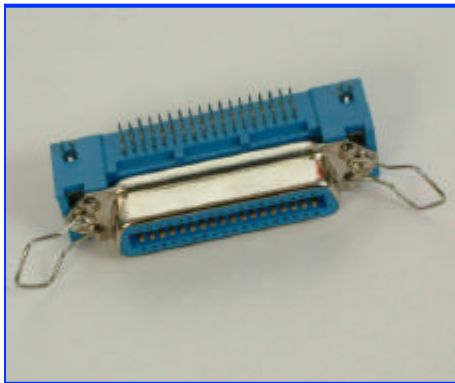
<Plug>



<Receptacle>



Dimensional Unit: inch



C193 Series

Centronic Connectors, Right Angle,
PCB Mounting

Specifications:

Contact Resistance:30mΩ @ 100mADC
 Insulator Resistance:5000MΩmin. @ 500VDC
 Current Rating:5AMP
 Voltage:1000VAC For 1 minute
 Operating Temperature:-55°C~+105°C
 Contact:Phosphor Bronze,Stamped
 Housing:PBT(30% Glass Fiber),UL94V-0
 Shell:Steel,Zinc Plated or Tinned

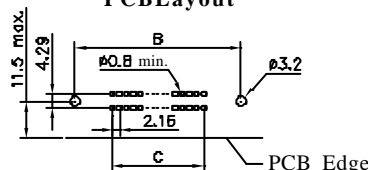
Ordering Information

C193-40500-0GB

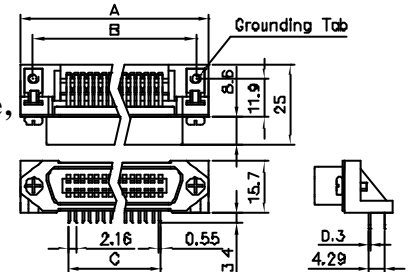
Series No. | Insulator Color:
 Gender: | B-Blue
 20 - Female(Receptacle) | K-Black
 W/O Latches | G-Gray
 40 - Female(Receptacle) | Contact Plating:
 Latches | 0G-Gold Flash
 No. of Pins: | 05-5u"Selective Gold
 36,50 | 10-10u"Selective Gold
 Style of Grounding Tab: | 15-15u"Selective Gold
 0-#4-40 | 30-30u"Selective Gold
 1 - $\phi 3.2$
 2 - Boardlock

Positions	A	B	C	D
36	67.74	59.74	36.72	59.20
50	82.85	74.85	51.84	74.40

PCB Layout



<Receptacle, W/O Latches>



<Receptacle, Latches>

